



**SPARE PARTS CATALOGUE  
ERSATZTEILKATALOG  
CATALOGUE PIECES DETACHEES  
CATALOGO PARTI RICAMBIO  
CATALOGO DE PIEZAS DE RECAMBIO  
CATALOGO PECAS, DE REPOSICAO**

Catalogo parti di ricambio valido  
dalla matricola 4334285 ad oggi (17/11/2021)

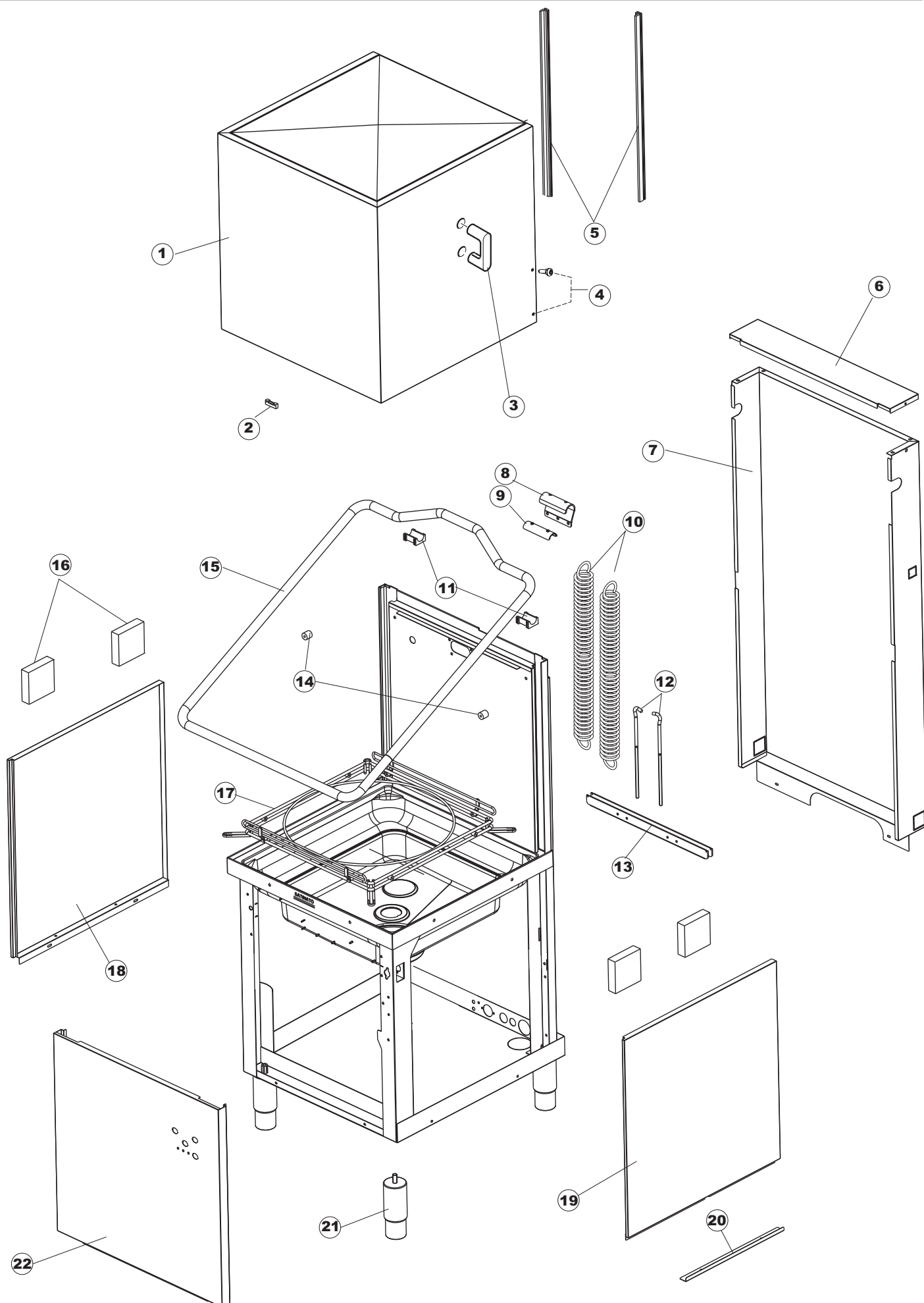
Catalogue pieces detachees  
du numero de Série n. 4334285 jusqu'à aujourd'hui (17/11/2021)

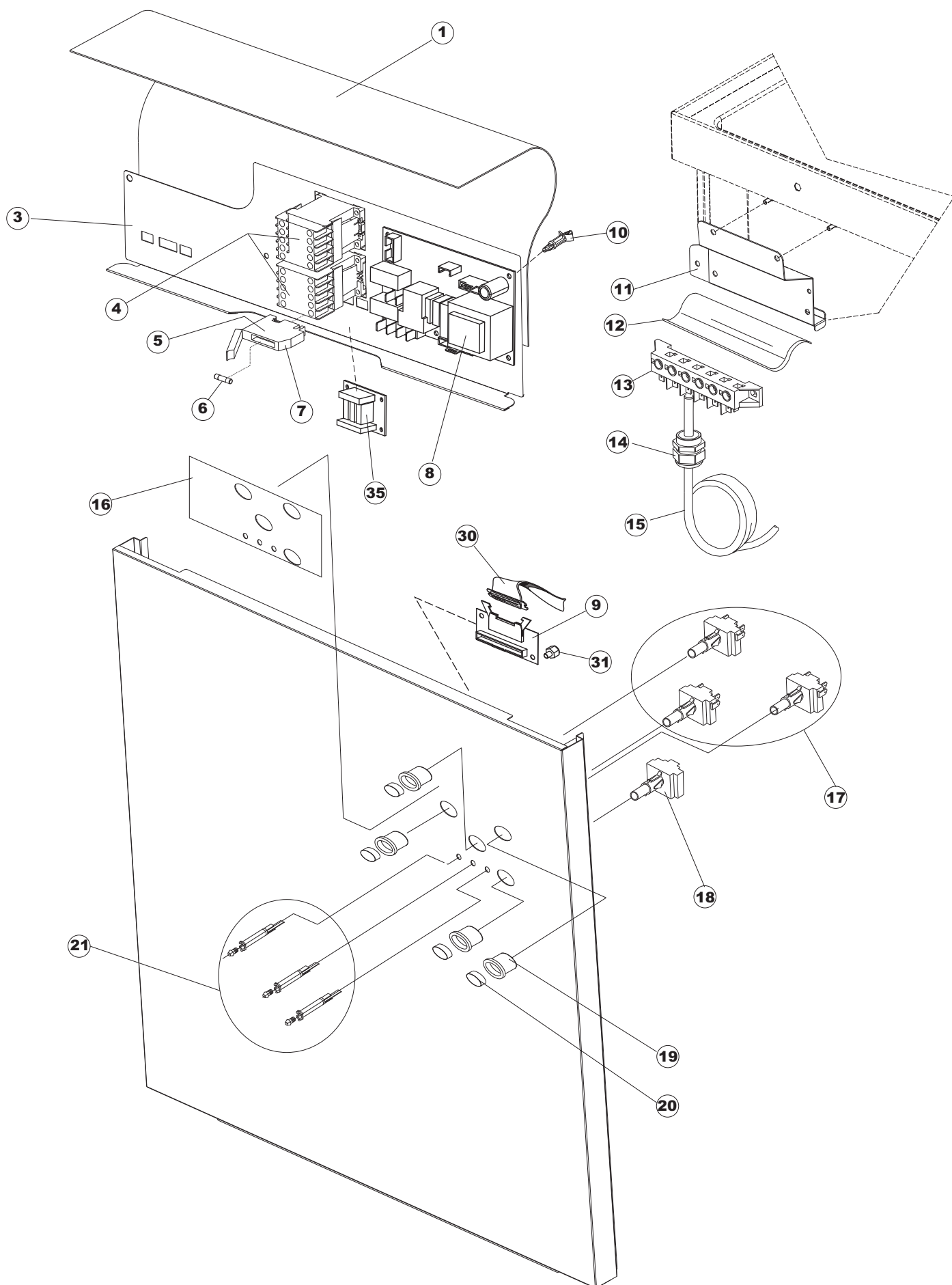
Ersatzteilkatalog  
gültig ab Serien-Nr. 4334285 bis heute (17/11/2021)

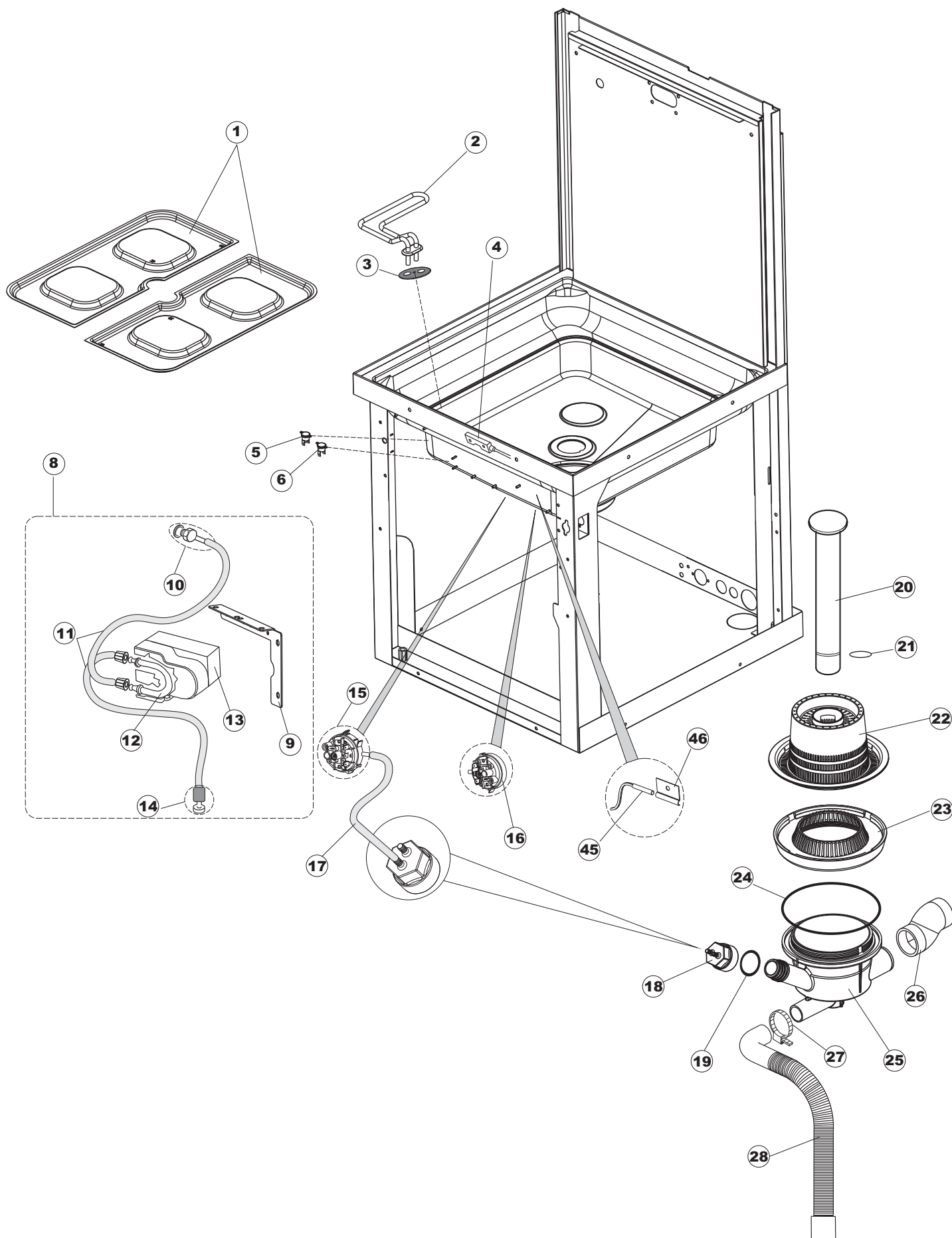
Spare parts catalogue  
valid from serial no. 4334285 up today (17/11/2021)

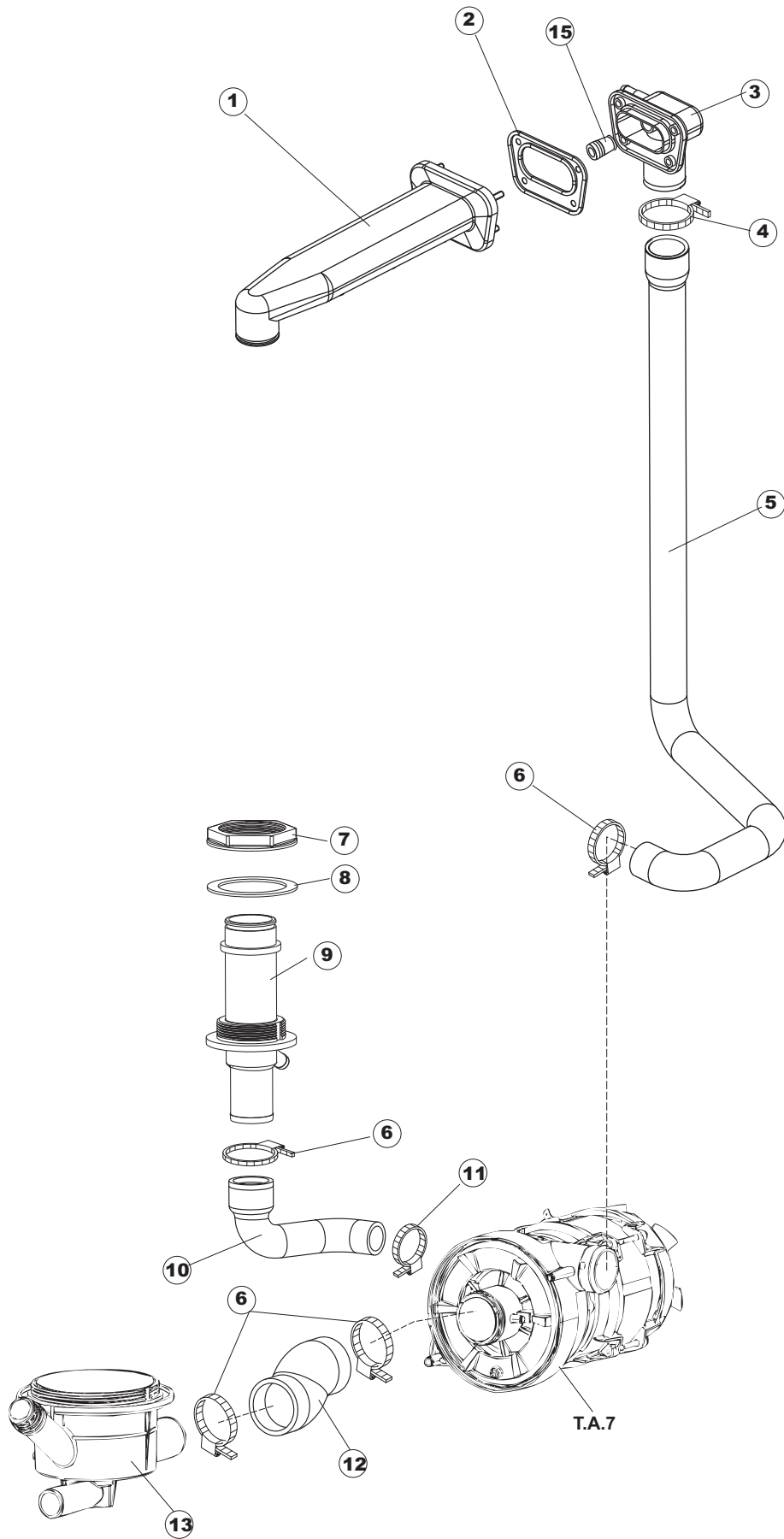
Catálogo de peças de reposição  
válido do número de série 4334285 até hoje (17/11/2021)

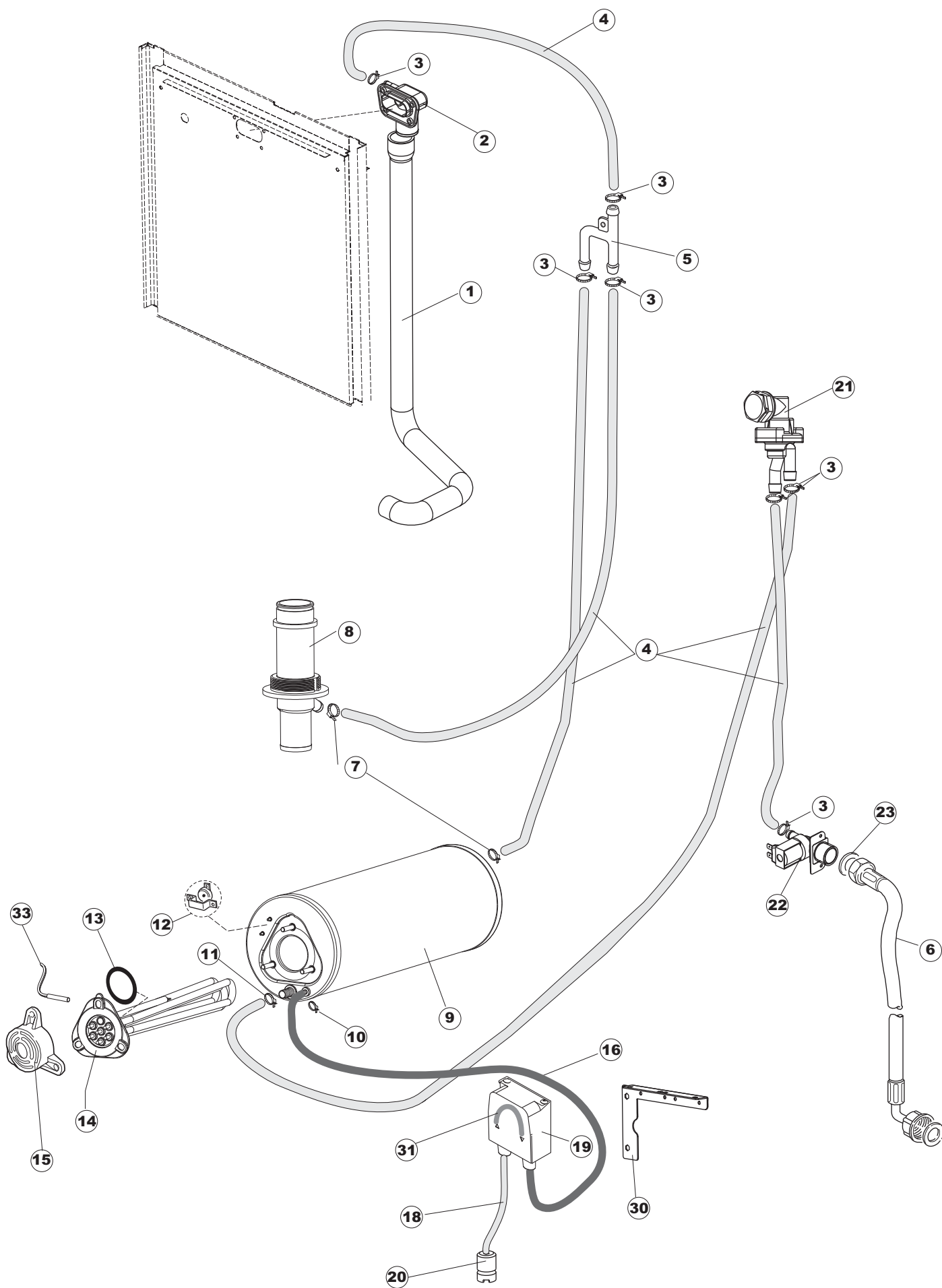
**CP4254M**

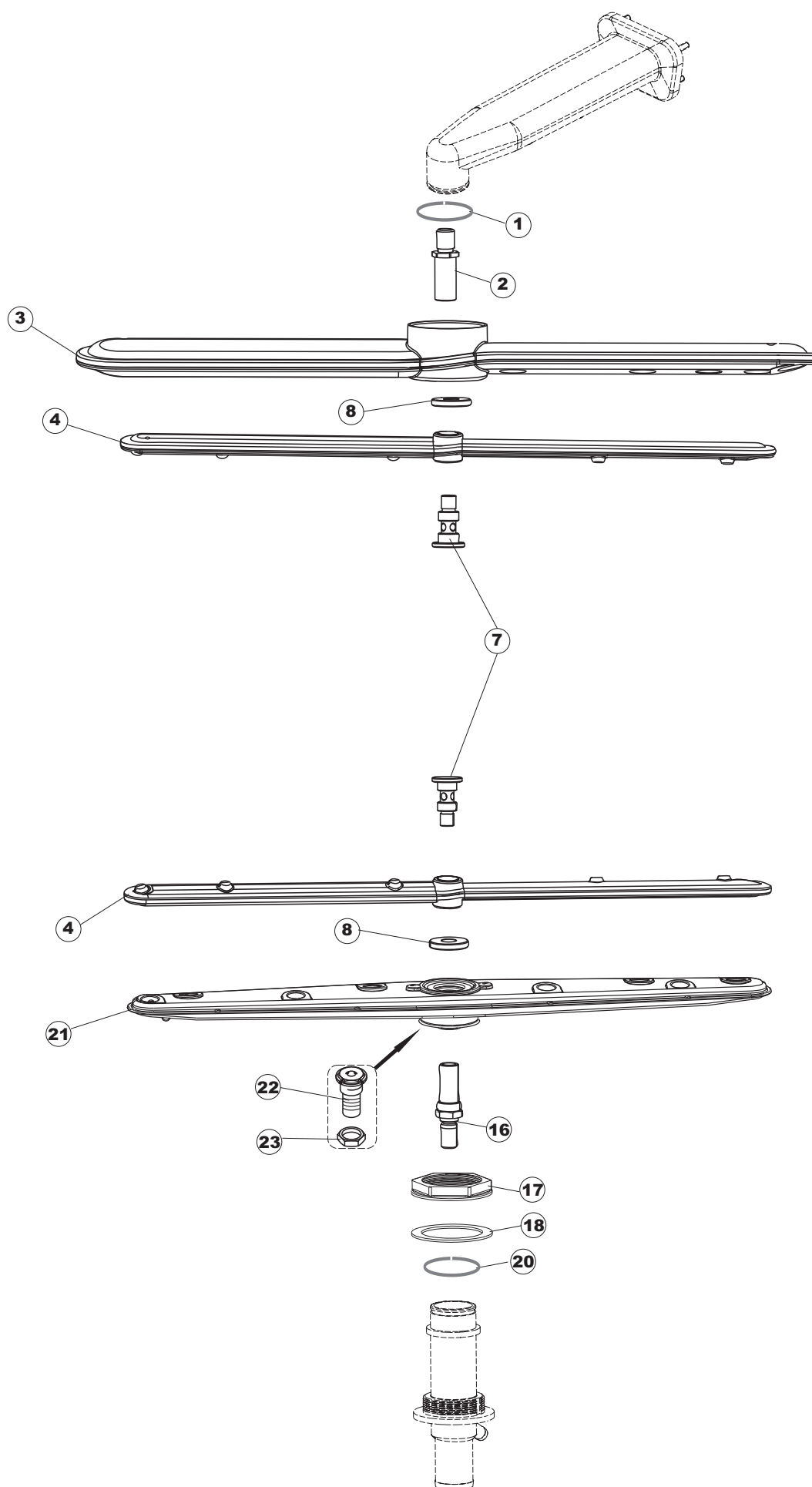


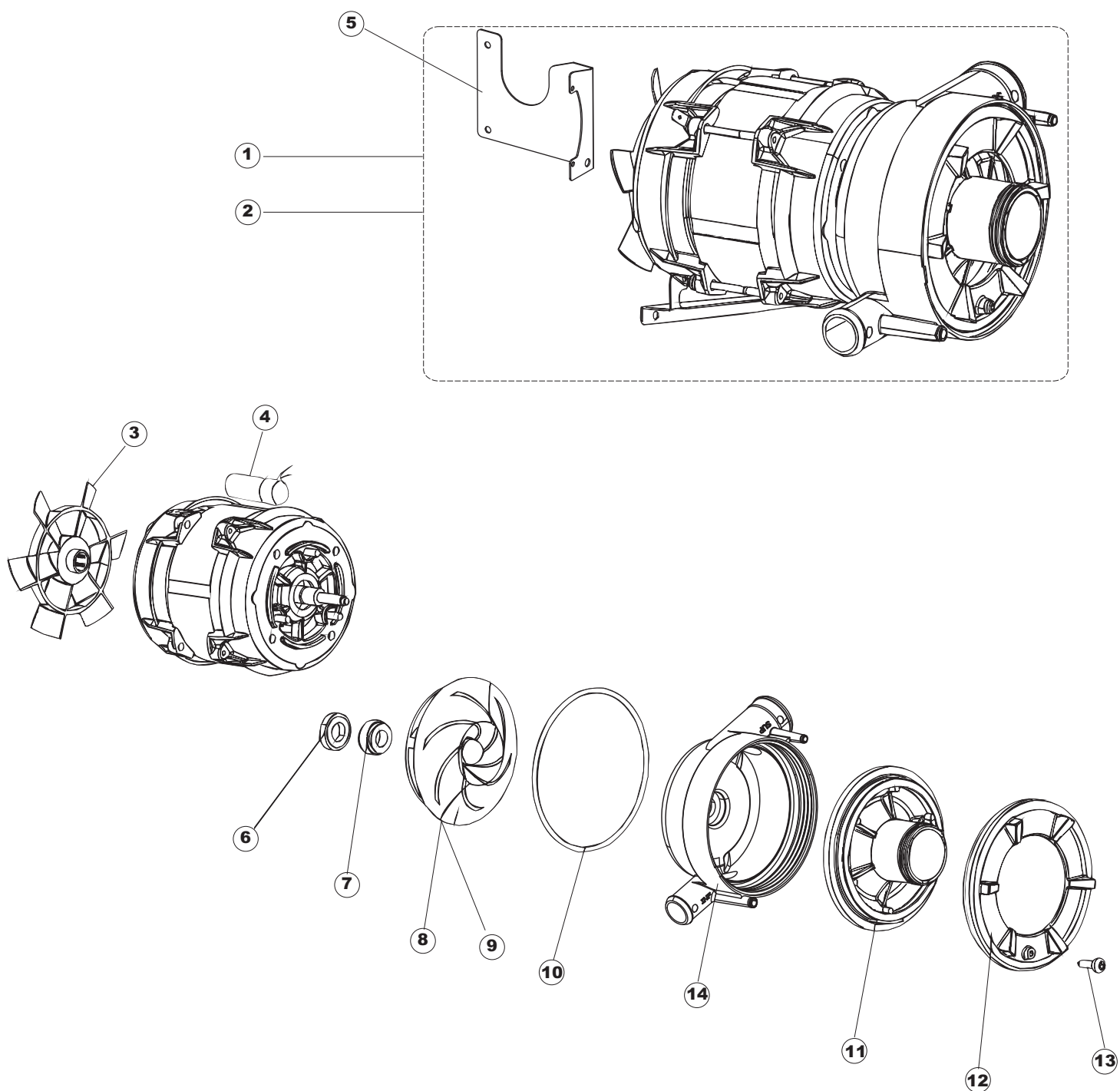




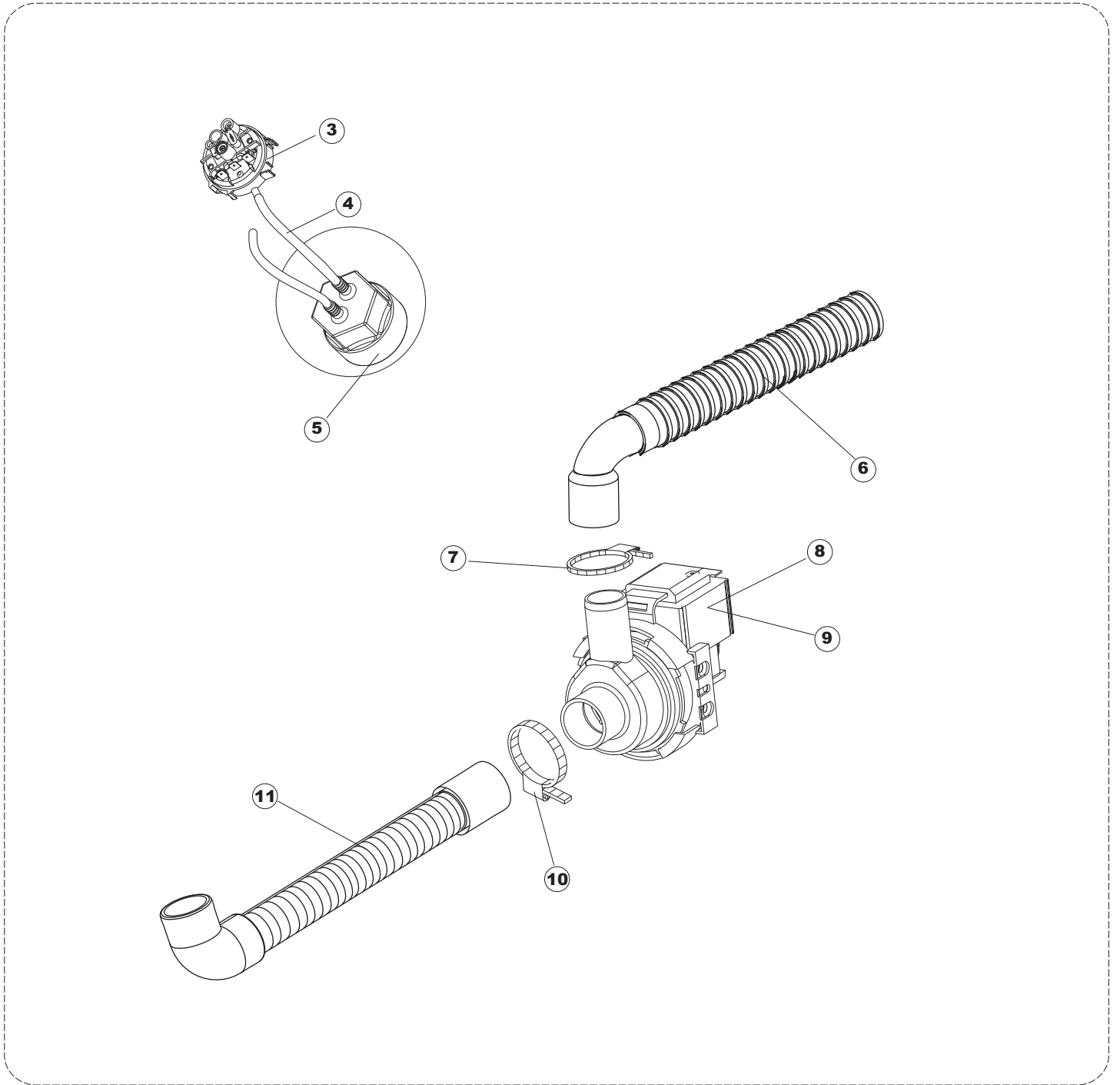












Drain pump

1

2

(\*) Recommended spare part.

Page	Spare part position	Spare part code no.	Old code number	Description	U.m.
1	1	K80141		KIT HOOD	NR
1	2	927088		MAGNET FOR HOOD MICROSWITCH	NR
1	3	926243		BIG HANDLE GREY BRACKET - CLG TYPE	NR
1	4	80998		SCREW	NR
1	5	80069		HOOD DRIVE	NR
1	6	80638		TOP BACK PANEL	NR
1	7	80167		BACK PANEL	NR
1	8	80275		COIL HOOKING BRACKET - COMPLETE	NR
1	9	80277		SPRING HOOKING SLIDE	NR
1	10	926007		EXTENSION STEEL SPRING FOR DISHWASHER	NR
1	11	80190		BRACKET	NR
1	12	926009		SPRING ADJUSTMENT HOOK	NR
1	13	74923		HOLDER TENSION SPRING	NR
1	14	80105		HOOD / DOOR STOP	NR
1	15	80035		HANDLE	NR
1	16	41042		ADHESIVE PLUG	NR
1	17	69788		RACK FRAME	NR
1	18	69571		LEFT SIDE PANEL	NR
1	19	69572		RIGHT SIDE PANEL	NR
1	20	80078		SUPPORT BRACKET	NR
1	21	73100		FOOT	NR
1	22	69200		FRONT PANEL	NR
2	1	214086		TRANSPARENT PROTECTION FOR ELECTRIC	NR
2	3	69401		PANEL FOR ELECTRICAL COMPONENTS	NR
2	4	73350		CONTACTOR	NR
2	5	H.228048		PRICE TO BE DEFINED	
2	6	228010		FUSE	NR
2	7	H.228047		PRICE TO BE DEFINED (PART NR. REPLACED BY 74935)	
2	7	74935		FUSE-HOLDER	NR
2	8	215034-5		MAIN BOARD	NR
2	9	215037		MECHANICAL INTERFACE BOARD	NR
2	10	CWP2		FOOT	NR

(\*) Recommended spare part.

Page	Spare part position	Spare part code no.	Old code number	Description	U.m.
2	11	69063		SUPPORT BRACKET	NR
2	12	214088		PVC CURTAIN FOR ELECTRIC PROTECTION	NR
2	13	220011		TERMINAL BLOCK	NR
2	14	929103		CABLE GLAND	NR
2	15	80997		POWER CABLE	NR
2	16	69790		CONTROL ADHESIVE INTERFACE	NR
2	17	208010		DOUBLE SWITCH	NR
2	18	226102		ELLIPTICAL PUSH-BUTTON	NR
2	19	226126		PUSH BUTTON CASE	NR
2	20	227064		BUTTON	NR
2	21	216029		PILOT LAMP	NR
2	30	80934		FLAT CABLE	NR
2	31	461028		FOOT BOARD SUPPORT	NR
2	35	215036		EXPANSION CARD FOR ADD-ONS	NR
3	1	121123		STAINER	NR
3	2	230118		TANK HEATING ELEMENT	NR
3	3	437086		PACKING OF THE TANK RESISTANCE	NR
3	4	80871		MAGNETIC DOOR SWITCH	NR
3	5	236052		THERMOSTAT 90+/-3C	NR
3	6	926189		CONTACT SAFETY-THERMOSTAT	NR
3	8	41953		PRICE TO BE DEFINED	
3	9	80952		SUPPORT BRACKET	NR
3	10	999348		DETERGENT TANK FITTING	NR
3	11	143194		PIPE	MT
3	12	143267		PIPE	NR
3	13	209038		PRICE TO BE DEFINED (PART NR. REPLACED BY 209029)	
3	13	209029		DETERGENT DISPENSER	NR
3	14	121993		FILTER AID DISPENSER	NR
3	15	224025		PRESSURE SWITCH	NR
3	16	224023		PRESSURE SWITCH	NR
3	17	143131		PIPE	MT
3	18	107013		AIR TRAP FOR PRESSURE SWITCH	NR

(\*) Recommended spare part.

Page	Spare part position	Spare part code no.	Old code number	Description	U.m.
3	19	456073		O-RING	NR
3	20	142058		OVERFLOW PIPE	NR
3	21	456081		O-RING	NR
3	22	121120		STAINER	NR
3	23	429072		RING NUT	NR
3	24	456076		O-RING	NR
3	25	74073		ASPIRATION AND DRAIN BODY	NR
3	26	127082		DELIVERY WASH HOSE	NR
3	27	CFS1		HOSE CLAMP	NR
3	28	143252		DRAIN HOSE	NR
3	45	231016		TEMPERATURE PROBE	NR
3	46	H.775489-001		SUPPORT TEMPERATURE PROBE	NR
4	1	69017		MAINFOLD	NR
4	2	80178		GASKET	NR
4	3	80174		PIPE FITTING	NR
4	4	CFS1A		HOSE CLAMP	NR
4	5	69020		PIPE	NR
4	6	CFS1		HOSE CLAMP	NR
4	7	429073		RING NUT	NR
4	8	437102		GASKET	NR
4	9	69016		MAINFOLD	NR
4	10	127085		DELIVERY WASH HOSE	NR
4	11	423008		PRICE TO BE DEFINED	
4	12	127082		DELIVERY WASH HOSE	NR
4	13	74073		ASPIRATION AND DRAIN BODY	NR
5	1	69020		PIPE	NR
5	2	80174		PIPE FITTING	NR
5	3	927322		HOSE CLAMP	NR
5	4	143010		RUBBER PIPE 12X19,5	MT
5	5	143268		JUNCTION "Y"	NR
5	6	143270		INLET WRAS PIPE	NR
5	7	927322		HOSE CLAMP	NR

(\*) Recommended spare part.

Page	Spare part position	Spare part code no.	Old code number	Description	U.m.
5	8	69016		MAINFOLD	NR
5	9	104060		BOILER	NR
5	10	423010		HOSE CLAMP	NR
5	11	927322		HOSE CLAMP	NR
5	12	926189		CONTACT SAFETY-THERMOSTAT	NR
5	13	456002		O-RING	NR
5	14	230020C		KIT HEATING ELEMENTS REB230020 (8KW)	NR
5	15	69870		BOILER HEATING ELEMENT PROTECTION	NR
5	16	143005		LINEN RUBBER PIPE 5X12 - BLACK	MT
5	18	H.775601		PIPE	MT
5	19	209037		PRICE TO BE DEFINED (PART NR. REPLACED BY 209034)	
5	19	209034		RINSE AID-DISPENSER	NR
5	20	121993		FILTER AID DISPENSER	NR
5	21	144010		NON RETURN VALVE (PART NR. REPLACED BY 144010NT)	
5	21	144010NT		NON-RETURN VALVE	NR
5	22	240016		SOLENOID VALVE	NR
5	23	437041		GASKET	NR
5	30	80952		SUPPORT BRACKET	NR
5	31	143266		PIPE	NR
5	33	231016		TEMPERATURE PROBE	NR
6	1	80184		SEALING RING	NR
6	2	70283		TOP PIVOT	NR
6	3	129075		COMPLETE WASH ARM	NR
6	4	129079		COMPLETE RINSE ARM	NR
6	7	80700		PIVOT	NR
6	8	K80697		RING NUT M10 WITH TEFLON WASHER	NR
6	16	69237		EXTENSION FOR STUD	NR
6	17	429073		RING NUT	NR
6	18	437102		GASKET	NR
6	20	80184		SEALING RING	NR
6	21	80348		COMPLETE WASH ARM	NR
6	22	79044		WASHING ARM BUSH C600	NR

(\*) Recommended spare part.

Page	Spare part position	Spare part code no.	Old code number	Description	U.m.
6	23	308031		RING NUT	NR
7	1	69122		PRICE TO BE DEFINED (PART NR. REPLACED BY 74122)	
7	1	74122		ELECTROPUMP	NR
7	2	74122HZ		ELECTROPUMP 60HZ	NR
7	3	335015		WASHPUMP FUN	NR
7	4	206002		CAPACITOR	NR
7	5	69400		SUPPORT BRACKET	NR
7	6	141008		WASHPUMP SHAFT SEAL	NR
7	7	141009		WASHPUMP SHAFT SEAL	NR
7	8	124057		ELECTROPUMP IMPELLER	NR
7	9	124060		ELECTROPUMP IMPELLER	NR
7	10	456078		O-RING	NR
7	11	480159		PLUG	NR
7	12	429074		RING NUT	NR
7	13	486242		SCREW	NR
7	14	116041		ELECTROPUMP HOUSING	NR
8	1	70710		PRICE TO BE DEFINED	
8	2	70710HZ		PRICE TO BE DEFINED	
8	3	224023		PRESSURE SWITCH	NR
8	4	143131		PIPE	MT
8	5	107014		AIR TRAP FOR PRESSURE SWITCH	NR
8	6	DZS151		DRAIN HOSE	NR
8	7	CFS18		HOSE CLAMP	NR
8	8	130181		PART NUMBER NO LONGER AVAILABLE	
8	9	130181		PART NUMBER NO LONGER AVAILABLE	
8	10	CFS1		HOSE CLAMP	NR
8	11	70097		DRAIN HOSE	NR